

# NSK Linear Guides™

## Miniature PU Series/PE Series

NSK Miniature Linear Guides, ideal for semiconductor manufacturing and medical equipment



# Smooth motion and unprecedented lightness The advanced NSK Miniature Linear Guides

The new generation PU series/PE series inherit the outstanding lineage of the NSK miniature linear guides LU series/LE series. Improve dynamic friction characteristics and create smoother motion with reduced noise intensity. The new design supports a wide variety of applications.

## 1 Features

### 1. Motion performance

Highly smooth operation is achieved by smooth ball recirculation.

### 2. Lightweight

The ball slide is fabricated to be approximately 20% lighter than conventional models\* by the application of resin to a part of its body.

\* Miniature LU series/LE series

### 3. Reduced noise intensity

Resin components applied in the ball circulating system reduce collision noise between steel balls and the inner wall of circulating circuits.

### 4. Low dust generation

The new design generates less dust compared to conventional models.

### 5. Excellent dust resistance

Compact space between the side of the rails and the inner walls of the ball slide prevents the entrance of foreign matter.

### 6. High corrosion resistance

High corrosion-resistant martensite stainless steel is incorporated as a standard feature provides excellent resistance to corrosion.

### 7. Easy to handle

Safety design prevents steel balls from dropping out of the ball slide even when the slide is removed from the rail.

### 8. Long-term maintenance-free

Equipped with NSK K1™ Lubrication unit realizes long-term, maintenance-free use.

### 9. Fast delivery

Lineup of random-matching rails and ball slides in the series facilitates fast delivery.



### Smoother motion

The resin ball recirculation component creates an optimal configuration, resulting in smoother motion.

Test conditions: Oil lubrication (VG68)  
Operating speed: 1 000 mm/min  
Load cell rated capacity: 5N

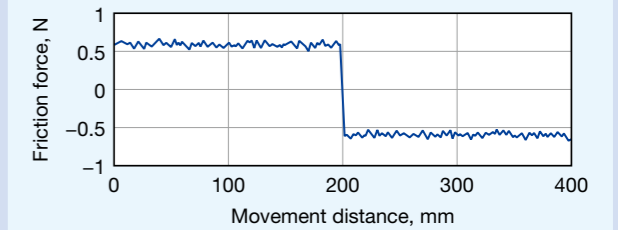


Fig. 1-1 Fluctuations in dynamic friction

### Low dust generation

The PU series/PE series, with resin ball recirculation components, generates less dust than a conventional ball recirculation system that goes right through the ball slide.

Test conditions: Grease lubrication (LG2)  
Operating speed: 600 mm/min  
Stroke: 200 mm

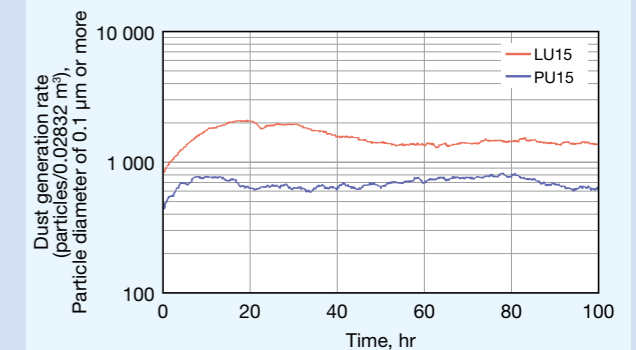


Fig. 1-2 Dust generation rate

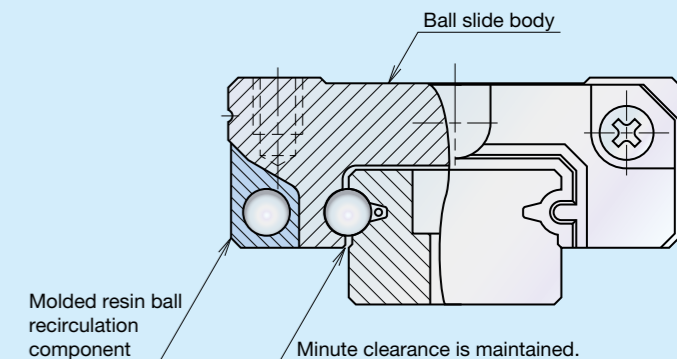


Fig. 2 Cross sectional front view

Developed for precision positioning tables, supporting cutting-edge equipment, including semiconductor manufacturing and medical devices

## 2 Reference number

Reference numbers will be used as reference before finalizing all specifications. Please specify the reference number, except design serial number, to identify the product when ordering, requesting estimates, or inquiring about specifications from NSK.

### 2.1 Preloaded assembly type

**Example: PU 15 0470 AL K 2 -\*\* P5 1**

Series name: PU  
Size: 15  
Rail length (mm): 0470  
Ball slide shape code: AL  
Material/surface treatment code: K: Stainless steel, H: Stainless steel + surface treatment  
Preload code: 0: Fine clearance (Z0), 1: Slight preload (Z1)  
Accuracy code: P4: Super precision, P5: High precision, P6: Precision, PN: Normal (with NSK K1) K4: Super precision, K5: High precision, K6: Precision, KN: Normal  
Design serial number: -\*\*  
Number of ball slides per rail: P5 1

### 2.2 Random-matching type

#### (1) Reference number for rail and ball slide assembly

**Example: PU 15 0470 AL K 2 -\*\* PC T**

Series name: PU  
Size: 15  
Rail length (mm): 0470  
Ball slide shape code: AL  
Material/surface treatment code: K: Stainless steel, H: Stainless steel + surface treatment  
Preload code: T: Fine clearance (ZT)  
Accuracy code: PC: Normal (with NSK K1) KC: Normal  
Design serial number: -\*\*  
Number of ball slides per rail: PC T

#### (2) Reference number for ball slide of random-matching type

**Example: PAU 15 AL S - K**

Random-matching ball slide series code: PAU: PU Series random-matching ball slide, PAE: PE Series random-matching ball slide  
Size: 15  
Ball slide shape code: AL  
Option code: -K: Equipped with NSK K1  
Material code: S: Stainless steel

## NSK Linear Guides™ Miniature PU Series/PE Series

#### (3) Reference number for rail of random-matching type

**Example: P1U 15 0470 R K N -\*\* PC T**

Random-matching rail series code: P1U: PU Series random-matching rail, P1E: PE Series random-matching rail  
Size: 15  
Rail length (mm): 0470  
Rail shape code: R: PU09-12, P: PE15  
Preload code: T: Fine clearance (ZT)  
Accuracy code: PC: Normal  
Design serial number: -\*\*  
Butting specification: (\*) N: non-butting rails, L: Butting specification  
Material/surface treatment: K: Stainless steel, H: Stainless steel + surface treatment

(\*) Please consult NSK for butting rail specification.

## 3 Accuracy standard

We offer the following accuracy grades: Super precision grade P4, High precision grade P5, Precision grade P6, and Normal grade PN for preloaded assembly type, and Normal grade PC for random-matching type.

Table 1 Tolerance of preloaded assembly

Characteristics	Accuracy grade			
	Super precision P4	High precision P5	Precision grade P6	Normal grade PN
Mounting height $H$	±10	±15	±20	±40
Variation of $H$ (All ball slides on a set of rails)	5	7	15	25
Mounting width $W_2$ or $W_3$	±15	±20	±30	±50
Variation of $W_2$ or $W_3$ (All ball slides on reference rail)	7	10	20	20
Running parallelism of surface C to surface A	Shown in Table 3, Fig. 3, Fig. 4			
Running parallelism of surface D to surface B				

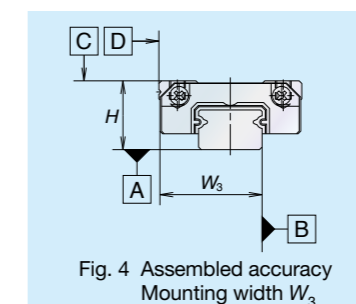
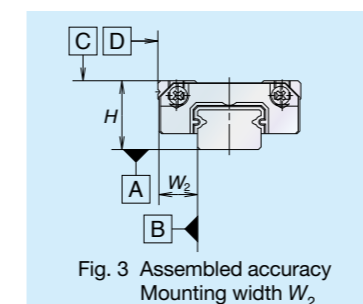
Table 3 Running parallelism of ball slide

Rail length (mm)	Accuracy grade		Preloaded assembly type				Random-matching type
	over	or less	P4	P5	P6	PN	PC
50		50	2	2	4.5	6	6
50 - 80		80	2	3	5	6	6
80 - 125		125	2	3.5	5.5	6.5	6.5
125 - 200		200	2	4	6	7	7
200 - 250		250	2.5	5	7	8	8
250 - 315		315	2.5	5	8	9	9
315 - 400		400	3	6	9	11	11
400 - 500		500	3	6	10	12	12
500 - 630		630	3.5	7	12	14	14
630 - 800		800	4.5	8	14	16	16
800 - 1 000		1 000	5	9	16	18	18
1 000 - 1 250		1 250	6	10	17	20	20

Table 2 Tolerance of random-matching type: Normal grade PC

Characteristics	Accuracy grade	Normal grade
	PC	
Mounting height $H$	±20	
Variation of mounting height $H$	15① 30②	
Mounting width $W_2$ or $W_3$	±20	
Variation of mounting width $W_2$ or $W_3$	20	
Running parallelism of surface C to surface A	Shown in Table 3, Fig. 3, Fig. 4	
Running parallelism of surface D to surface B		

①Variation on the same rail  
②Variation on multiple rails



## 4 Preload and rigidity

We offer three levels of preload: Slight preload (Z1) and Fine clearance (Z0) for preloaded assembly types, along with random-matching types of Fine clearance (ZT). Values for preload and rigidity of the preloaded assembly types are shown in Tables 4 and 5.

Table 4 Preload and rigidity of preloaded assembly of PU series

	Model No.	Preload (N)		Rigidity (N/μm)	
		Slight preload (Z1)	Slight preload (Z1)	Slight preload (Z1)	Slight preload (Z1)
Standard type	PU05TR	0 - 3		17	
	PU07AR	0 - 8		22	
	PU09TR	0 - 10		30	
	PU12TR	0 - 17		33	
	PU15AL	0 - 33		45	
High-load type	PU09UR	0 - 14		46	
	PU12UR	0 - 25		52	
	PU15BL	0 - 51		75	

Table 5 Preload and rigidity of preloaded assembly of PE series

	Model No.	Preload (N)		Rigidity (N/μm)	
		Slight preload (Z1)	Slight preload (Z1)	Slight preload (Z1)	Slight preload (Z1)
Standard type	PE05AR	0 - 28		45	
	PE07TR	0 - 29		46	
	PE09TR	0 - 37		61	
	PE12AR	0 - 40		63	
	PE15AR	0 - 49		66	
High-load type	PE09UR	0 - 54		86	
	PE12BR	0 - 59		97	
	PE15BR	0 - 75		114	

Clearance of fine clearance Z0 is 0-3 μm. Therefore, preload is zero. Clearance values of the random-matching types are shown in Tables 6 and 7.

Table 6 Clearance of random-matching type of PU series Unit: μm

	Model No.	Fine clearance ZT
Standard type	PU09TR	3 or less
	PU12TR	
	PU15AL	
High-load type	PU09UR	5 or less
	PU12UR	
	PU15BL	

Table 7 Clearance of random-matching type of PE series Unit: μm

	Model No.	Fine clearance ZT
Standard type	PE09TR	3 or less
	PE12AR	
	PE15AR	
High-load type	PE09UR	5 or less
	PE12BR	
	PE15BR	

## 5 Shoulder height of the mounting surface and corner radius r

Figs. 5, 6 and Tables 8, 9 show the shoulder height and corner radius dimensions.

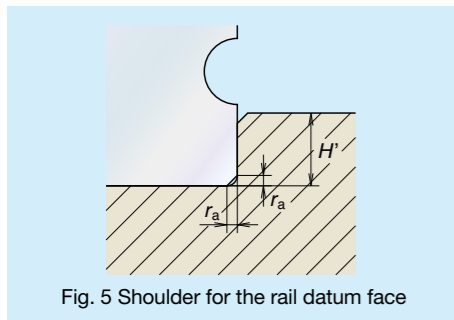


Fig. 5 Shoulder for the rail datum face

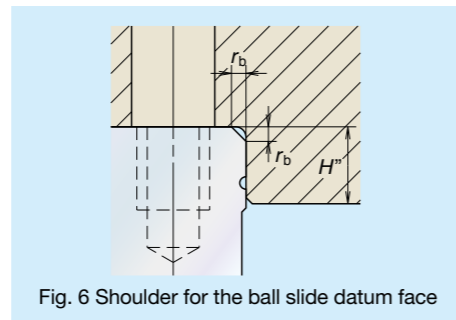


Fig. 6 Shoulder for the ball slide datum face

Table 8 Shoulder height of the mounting surface and corner radius r (PU series) Unit: mm

Model No.	Corner radius (Maximum)		Shoulder height	
	r <sub>a</sub>	r <sub>b</sub>	H'	H''(*)
PU05	0.2	0.2	0.7	2.3
PU07	0.2	0.3	1.2	2.5
PU09	0.3	0.3	1.9	2.6
PU12	0.3	0.3	2.5	3.4
PU15	0.3	0.5	3.5	4.4

(\*)H'' is the minimum recommended value based on the dimension T in Table 13.

Table 9 Shoulder height of the mounting surface and corner radius r (PE series) Unit: mm

Model No.	Corner radius (Maximum)		Shoulder height	
	r <sub>a</sub>	r <sub>b</sub>	H'	H''(*)
PE05	0.2	0.2	1.1	2.5
PE07	0.2	0.3	1.7	3
PE09	0.3	0.3	3.5	2.8
PE12	0.3	0.3	3.5	3.2
PE15	0.3	0.5	3.5	4.1

(\*)H'' is the minimum recommended value based on the dimension T in Table 14.

## 6 Lubrication

**Selection of grease:** Table 10 shows grease that is suitable for the PU series/PE series. We specify PS2 as the standard grease for NSK miniature linear guides.

Table 10 Available greases

Grease code	Thickener	Base oil	Base oil kinematic viscosity mm <sup>2</sup> /s (40°C)	Temperature range for use (°C)	Characteristic/Application
PS2	Lithium type	Synthetic oil + Mineral oil	15	-50 to 110	<ul style="list-style-type: none"> <li>For low temperature operation</li> <li>Suitable for high speed and light load application</li> </ul>
LG2	Lithium type	Mineral oil + Synthetic hydrocarbon oil	30	-20 to 70	<ul style="list-style-type: none"> <li>For clean environment</li> </ul>
LGU	Diurea type	Synthetic hydrocarbon oil	100	-30 to 120	<ul style="list-style-type: none"> <li>For clean environment</li> </ul>

**Long term maintenance free:** NSK K1 Lubrication unit enables long term maintenance free.

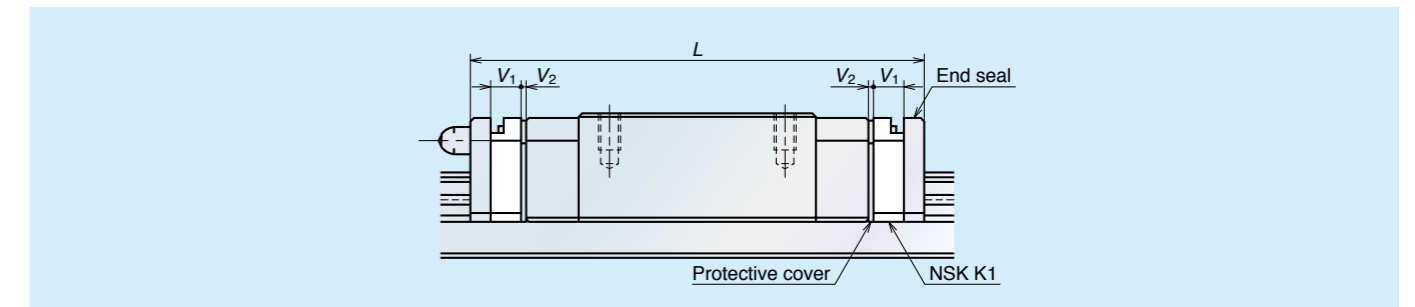


Table 11 Dimensions when equipped with NSK K1 (PU series) Unit: mm

	Model No.	Standard ball slide length	Ball slide length equipped with two NSK K1, L	Thickness of NSK K1, V <sub>1</sub>	Thickness of protective cover, V <sub>2</sub>
Standard type	PU05TR	19.4	24.4	2	0.5
	PU07AR	23.4	29.4	2.5	0.5
	PU09TR	30	36.4	2.7	0.5
	PU12TR	35	42	3	0.5
	PU15AL	43	51.2	3.5	0.6
High-load type	PU09UR	41	47.4	2.7	0.5
	PU12UR	48.7	55.7	3	0.5
	PU15BL	61	69.2	3.5	0.6

Table 12 Dimensions when equipped with NSK K1 (PE series) Unit: mm

	Model No.	Standard ball slide length	Ball slide length equipped with two NSK K1, L	Thickness of NSK K1, V <sub>1</sub>	Thickness of protective cover, V <sub>2</sub>
Standard type	PE05AR	24.1	28.9	2	0.4
	PE07TR	31.1	37.1	2.5	0.5
	PE09TR	39.8	46.8	3	0.5
	PE12AR	45	53	3.5	0.5
	PE15AR	56.6	66.2	4	0.8
High-load type	PE09UR	51.2	58.2	3	0.5
	PE12BR	60	68	3.5	0.5
	PE15BR	76	85.6	4	0.8

Ball slide length equipped with NSK K1 = (Standard ball slide length) + (Thickness of NSK K1, V<sub>1</sub> × Number of NSK K1) + (Thickness of the protective cover, V<sub>2</sub> × 2)  
 \*Additional NSK K1 is available depending on the use conditions.

## 7 Dust resistance

**End seal:** Provided to both sides of the ball slide as a standard feature.

**Bottom seal function:** It is designed to minimize the clearance between the side faces of rail and the inner walls of the slide, and prevent foreign matters from entering the ball slide.

## 8 Applications

- Smoother motion and low dust generation  
Liquid crystal manufacturing and printed circuit board manufacturing devices
- Lightweight and low dust generation  
Semiconductor manufacturing devices (mounter, die bonder, and exposure device)
- Gentler tone and excellent dust resistant features  
Medical machinery and various precision devices

# 9 Dimensions

# NSK Linear Guides™ Miniature PU Series/PE Series

## 9.1 Rail and ball slide assembly (preloaded type, random-matching type)

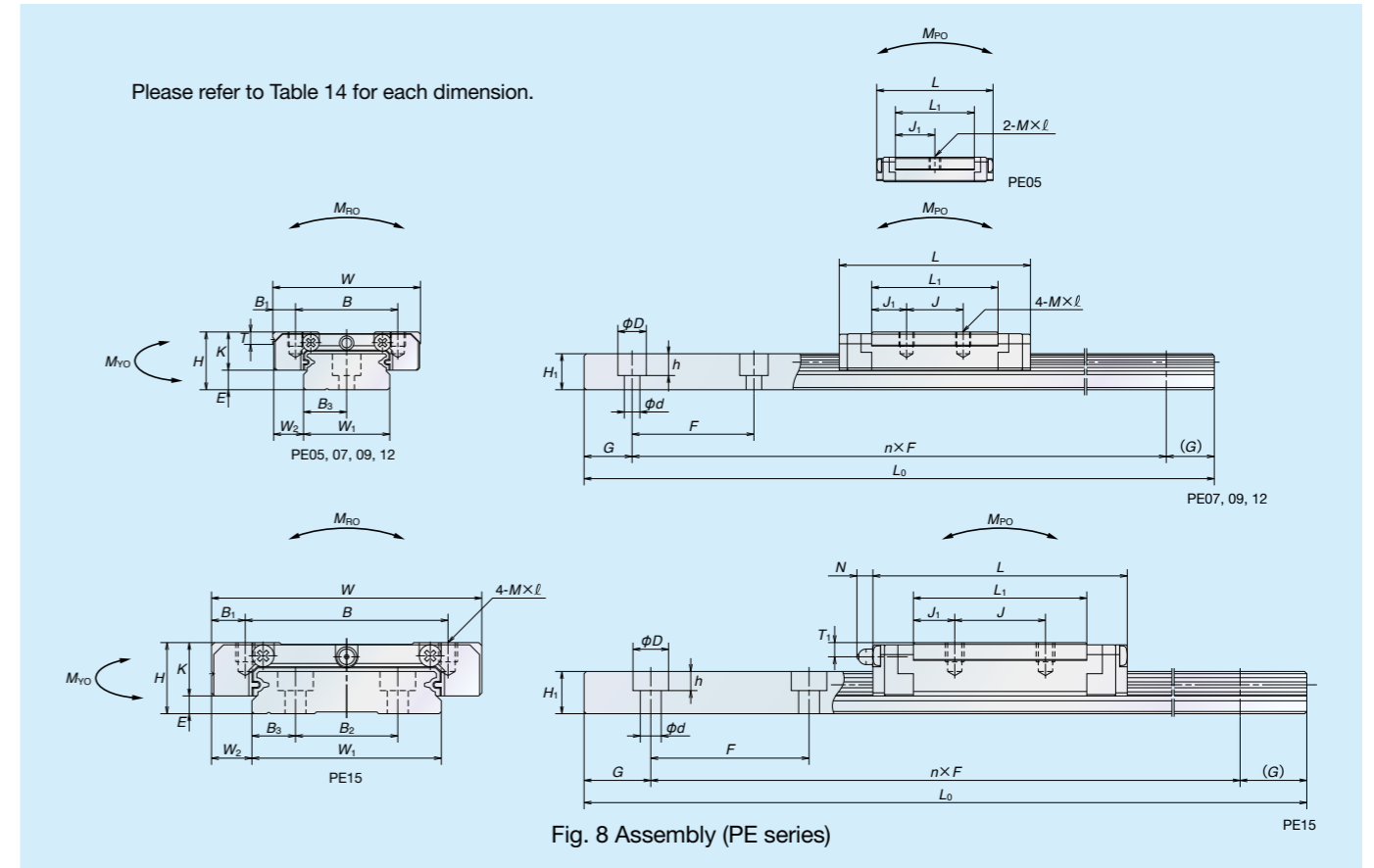
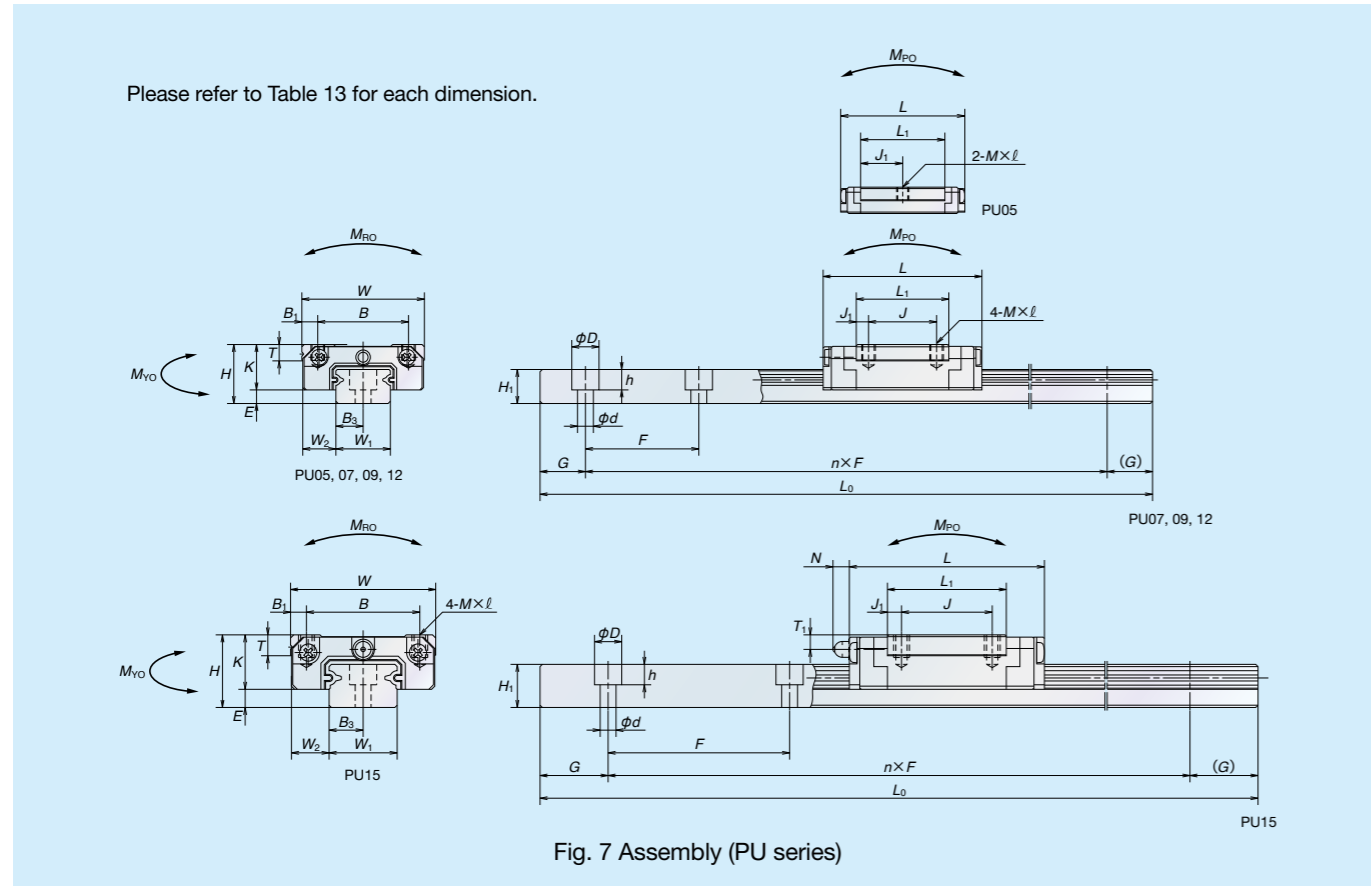


Table 13 Dimensions (PU series)

Model No.	Random-matching type	Assembly		Ball slide												Rail					Basic load rating (*2)								Ball diameter $D_w$	Weight			
		Height $H$	Width $W$	Length $L$	Mounting hole					$B_1$	$L_1$	$J_1$	$K$	$T$	Oil hole			Width $W_1$	Height $H_1$	Pitch $F$	Mounting bolt hole $d \times D \times h$	$B_3$	G (Reference)	Maximum length $L_{0max}$	Dynamic $C$ (N)	Static $C_0$ (N)	Static moment (N-m)				Ball slide (g)	Rail (g/100 mm)	
					$B$	$J$	$M \times \text{Pitch} \times \ell$	$H_1$	Hole diameter						$T_1$	$N$	$M_{RO}$										$M_{PO}$			$M_{YO}$			
																											one slide	two slides in close contact		one slide			two slides in close contact
PU05TR	—	6	12	19.4	8	—	$M2 \times 0.4 \times 1.5$	2	11.4	5.7	5	2.3	$\phi 0.9$	1.5	—	5	3.2	15	$2.3 \times 3.3 \times 0.8$	2.5	5	210	520	775	2.06	1.28	9.90	1.28	9.90	1	4	11	
PU07AR	—	8	17	23.4	12	8	$M2 \times 0.4 \times 2.4$	2.5	13.3	2.65	6.5	2.45	$\phi 1.5$	1.8	—	7	4.7	15	$2.4 \times 4.2 \times 2.3$	3.5	5	375	1 090	1 370	5.20	2.70	21.8	2.70	21.8	1.5875	8	23	
PU09TR	○	10	20	30	15	10	$M3 \times 0.5 \times 3$	2.5	19.6	4.8	7.8	2.6	—	—	—	9	5.5	20	$3.5 \times 6 \times 4.5$	4.5	7.5	600	1 490	2 150	9.90	6.10	41.0	6.10	41.0	1.5875	16	35	
PU09UR																							2 100	3 500	16.2	15.6	88.0	15.6	88.0	25	35		
PU12TR	○	13	27	35	20	15	$M3 \times 0.5 \times 3.5$	3.5	20.4	2.7	10	3.4	—	—	—	12	7.5	25	$3.5 \times 6 \times 4.5$	6	10	800	2 830	3 500	21.1	11.4	73.5	11.4	73.5	2.3812	32	65	
PU12UR																							4 000	5 700	34.5	28.3	174	28.3	174	53	65		
PU15AL	○	16	32	43	25	20	$M3 \times 0.5 \times 5$	3.5	26.2	3.1	12	4.4	$\phi 3$ (*1)	3.2	(3.6)	15	9.5	40	$3.5 \times 6 \times 4.5$	7.5	15	1 000	5 550	6 600	49.5	25.6	190	25.6	190	3.175	59	105	
PU15BL																							8 100	11 300	84.5	69.5	435	69.5	435	100	105		

○: Random-matching type is available.

(\*1) Drive-In grease fitting for  $\phi 3$  is available to PU15.

(\*2) Basic dynamic load rating is a load that allows for a 50-km rating fatigue life and is a vertical and constant load on the ball slide mounting surface.

To convert  $C$  to  $C_{100}$  for a 100-km rating fatigue life, divide  $C$  by 1.26.

To fix rails of PU05TR, use  $M2 \times 0.4$  cross-recessed pan head machine screw for precision instrument.

(JCIS 10-70 No. 0 pan head machine screw No. 1)

(JCIS: Japanese Camera Industrial Standard)

Table 14 Dimensions (PE series)

Model No.	Random-matching type	Assembly		Ball slide												Rail					Basic load rating (*4)								Ball diameter $D_w$	Weight			
		Height $H$	Width $W$	Length $L$	Mounting hole					$B_1$	$L_1$	$J_1$	$K$	$T$	Oil hole			Width $W_1$	Height $H_1$	Pitch $F$	Mounting bolt hole $d \times D \times h$	$B_3$	G (Reference)	Maximum length $L_{0max}$	Dynamic $C$ (N)	Static $C_0$ (N)	Static moment (N-m)				Ball slide (g)	Rail (g/100 mm)	
					$B$	$J$	$M \times \text{Pitch} \times \ell$	$H_1$	Hole diameter						$T_1$	$N$	$M_{RO}$										$M_{PO}$			$M_{YO}$			
																											one slide	two slides in close contact		one slide			two slides in close contact
PE05AR	—	6.5	17	24.1	13	—	$M2.5 \times 0.45 \times 1.5$	2	16.4	8.2	5.1	2.5	$\phi 0.9$	1.3	—	10	4	—	20	$3 \times 5 \times 1.6$	5	7.5	150	690	1 160	6.00	2.75	17.5	2.75	17.5	1	7	34
PE07TR	—	9	25	31.1	19	10	$M3 \times 0.5 \times 2.8$	3	20.8	5.4	7	3	$\phi 1.9$	1.9	—	14	5.2	—	30	$3.5 \times 6 \times 3.2$	7	10	600	1 580	2 350	16.7	7.20	46.0	7.20	46.0	1.5875	19	55
PE09TR	○	12	30	39.8	21	12	$M3 \times 0.5 \times 3$	4.5	26.6	7.3	8	2.8	$\phi 2$	2.3	—	18	7.5	—	30	$3.5 \times 6 \times 4.5$	9	10	800	3 000	4 500	36.5	17.3	113	17.3	113	2	35	95
PE09UR																								4 000	6 700	54.5	37.5	210	37.5	210	50	95	
PE12AR	○	14	40	60	28	15	$M3 \times 0.5 \times 4$	6	31	8	10	3.2	$\phi 2.5$	2.7	—	24	8.5	—	40	$4.5 \times 8 \times 4.5$	12	15	1 000	4 350	6 350	70.5	29.3	180	29.3	180	2.3812	66	140
PE12BR																								5 800	9 550	106	63.5	345	63.5	345	98	140	
PE15AR	○	16	60	56.6	45	20	$M4 \times 0.7 \times 4.5$	7.5	38.4	9.2	12	4.1	$\phi 3$ (*3)	3.2	(3.3)	42	9.5	23	40	$4.5 \times 8 \times 4.5$	9.5	15	1 200	7 600	10 400	207	59.0	370	59.0	370	3.175	140	275
PE15BR																								10 300	16 000	320	135	740	135	740	211	275	

○: Random-matching type is available.

(\*3) Drive-In grease fitting for  $\phi 3$  is available to PE15.

(\*4) Basic dynamic load rating is a load that allows for a 50-km rating fatigue life and is a vertical and constant load on the ball slide mounting surface.

To convert  $C$  to  $C_{100}$  for a 100-km rating fatigue life, divide  $C$  by 1.26.

To fix rails of PE05AR, use  $M2.5 \times 0.45$  cross-recessed pan head machine screw for precision instrument.

(JCIS 10-70 No. 0 pan head machine screw No. 3)

(JCIS: Japanese Camera Industrial Standard)

9.2 Random-matching type

(1) Ball side of random-matching types

Please refer to Table 13 for each dimension.

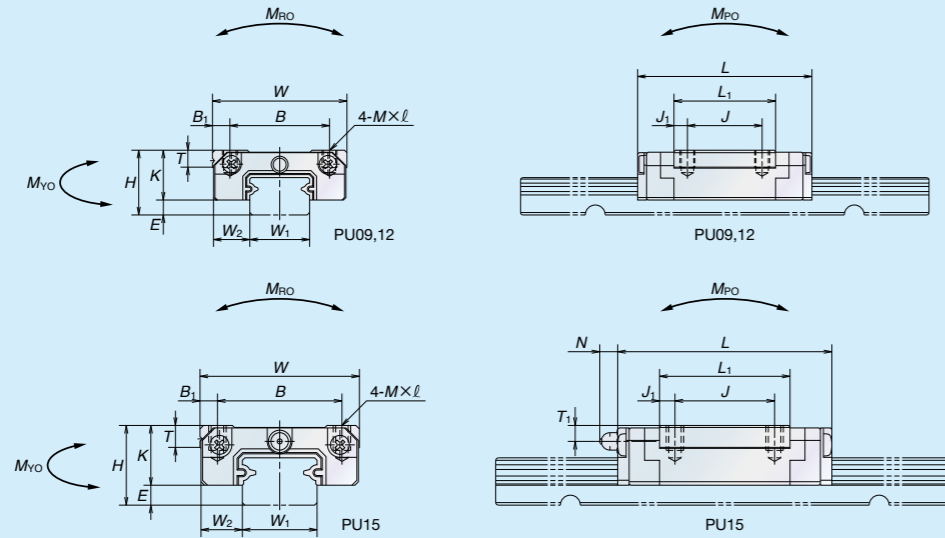


Fig. 9 Ball slide of random-matching types (PU series)

Please refer to Table 14 for each dimension.

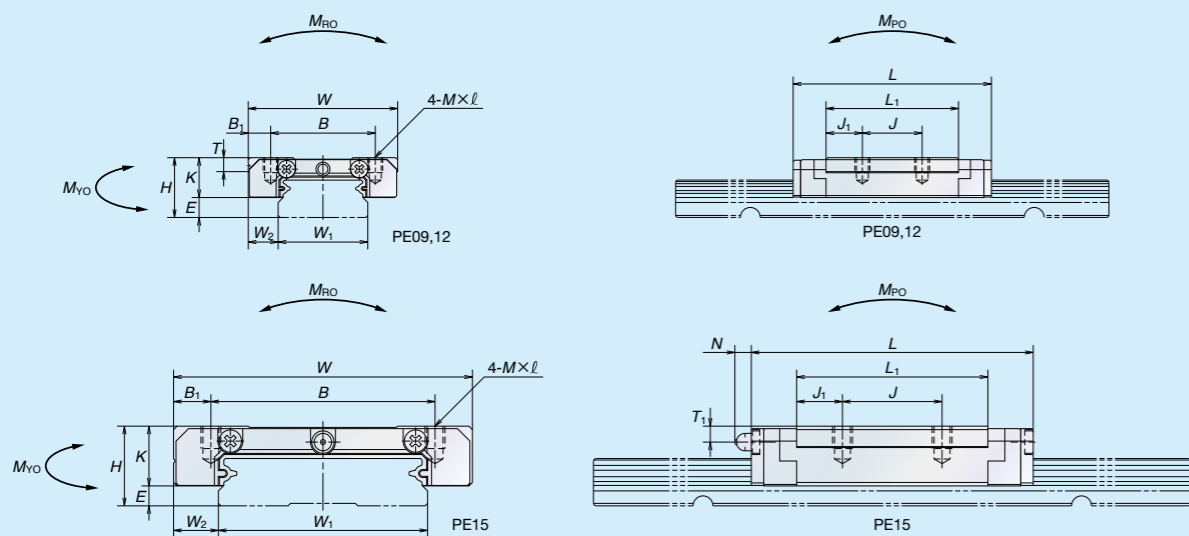


Fig. 10 Ball slide of random-matching types (PE series)

(2) Rail of random-matching types

Please refer to Table 13 for each dimension.

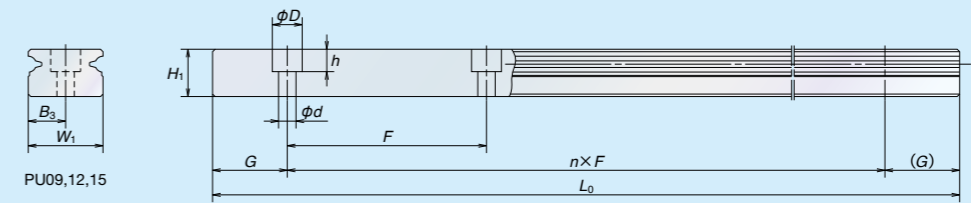


Fig. 11 Rail of random-matching types (PU series)

Please refer to Table 14 for each dimension.

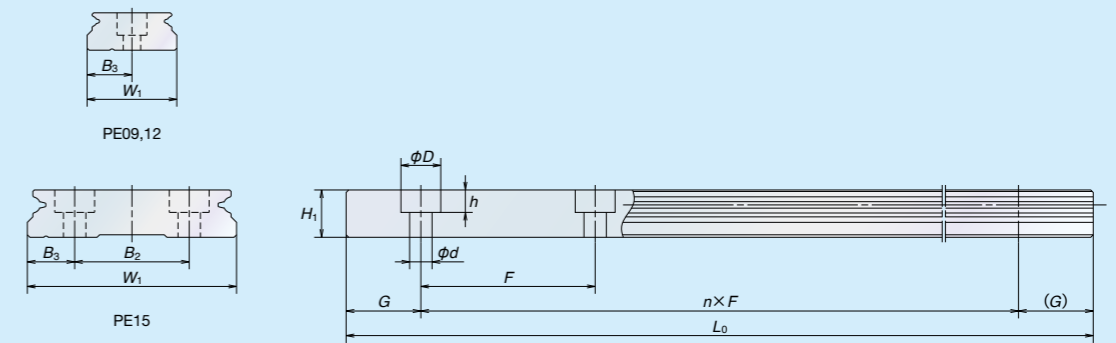


Fig. 12 Rail of random-matching types (PE series)

10 Interchangeability with LU series/LE series

The PU series/PE series is designed to be interchangeable\* with the LU series/LE series for its mounting dimensions and load ratings.

Refer to Figs. 7, 8 and Tables 13, 14 for more details.

(\*) Load ratings for PU05 and PE05 are not interchangeable

11 Handling precautions

- (1) NSK Linear Guides may become damaged when struck or hit.
- (2) Maximum operating temperature must be 80°C or below. Exceeding this limit may damage resin parts.
- (3) Maximum operating temperature must be 50°C (max. momentary 80°C) when attaching NSK K1. Also, avoid exposure to organic solvents with a degreasing effect. Do not immerse in kerosene or rust preventative oil (with kerosene ingredients).
- (4) Handling of random-matching types
  - ① Random-matching ball slide will be delivered with a provisional rail (inserting fixture).
  - ② Be sure to use the provisional rail when mounting ball slide(s) to a rail.
  - ③ Do not remove the ball slide from provisional rail until inserting into a rail.

## Worldwide Sales Offices

**NSK LTD.-HEADQUARTERS, TOKYO, JAPAN** [www.nsk.com](http://www.nsk.com)  
 INDUSTRIAL MACHINERY BUSINESS DIVISION-HEADQUARTERS tel: 03-3779-7227  
 GLOBAL AFTERMARKET DEPARTMENT tel: 03-3779-7253  
 PRECISION MACHINERY DEPARTMENT tel: 03-3779-7163  
 MECHATRONICS BUSINESS DEPARTMENT tel: 0466-21-3027  
 AUTOMOTIVE BUSINESS DIVISION-HEADQUARTERS tel: 03-3779-7189

### Africa

**South Africa:**  
**NSK SOUTH AFRICA (PTY) LTD.**  
 Johannesburg tel: 011-458-3600

### Asia and Oceania

**Australia:**  
**NSK AUSTRALIA PTY. LTD.** [www.au.nsk.com](http://www.au.nsk.com)  
 Melbourne tel: 03-9765-4400

### China:

**NSK HONG KONG LTD.**  
 Hong Kong tel: 02739-9933  
 Shenzhen tel: 0755-25904886

**KUNSHAN NSK CO., LTD.**  
 Kunshan tel: 0512-5771-5654

**CHANGSHU NSK NEEDLE BEARING CO., LTD.**  
 Jiangsu tel: 0512-5230-1111

**NSK STEERING SYSTEMS DONGGUAN CO., LTD.**  
 Dongguan tel: 0769-2262-0960

**NSK (CHINA) RESEARCH & DEVELOPMENT CO., LTD.**  
 Jiangsu tel: 0512-5796-3000

**NSK (SHANGHAI) TRADING CO., LTD.**  
 Jiangsu tel: 0512-5796-3000

**NSK (CHINA) INVESTMENT CO., LTD.**  
 Jiangsu tel: 0512-5796-3000

Jiangsu tel: 010-6590-8161  
 Beijing tel: 022-8319-5030  
 Tian Jin tel: 0431-8898-8682  
 Changchun tel: 024-2334-2868  
 Shenyang tel: 0411-8800-8168  
 Dalian tel: 025-8472-6671  
 Nanjing tel: 020-3817-7800  
 Guangzhou tel: 0731-8571-3100  
 Changsha tel: 0379-6069-6188  
 Luoyang tel: 029-8765-1896  
 Xi'an tel: 023-6806-5310  
 Chongqing tel: 028-8528-3680  
 Chengdu

**NSK CHINA SALES CO., LTD.**  
 Jiangsu tel: 0512-5796-3000

### India:

**RANE NSK STEERING SYSTEMS LTD.**  
 Chennai tel: 044-474-06017

**NSK INDIA SALES CO. PVT. LTD.**  
 Chennai tel: 044-2847-9600  
 Gurgaon tel: 0124-4104-530  
 Kolkata tel: 033-4001-2062  
 Mumbai tel: 022-2838-7787

**NSK-ABC BEARINGS LTD.**  
 Chennai tel: 044-2714-3000

**Indonesia:**  
**PT. NSK INDONESIA** [www.id.nsk.com](http://www.id.nsk.com)  
 Jakarta tel: 021-252-3458

**Korea:**  
**NSK KOREA CO., LTD.** [www.kr.nsk.com](http://www.kr.nsk.com)  
 Seoul tel: 02-3287-0300  
 Changwon tel: 055-287-6001

**Malaysia:**  
**NSK BEARINGS (MALAYSIA) SDN.BHD.** [www.my.nsk.com](http://www.my.nsk.com)  
 Shah Alam tel: 03-7803-8859

**New Zealand:**  
**NSK NEW ZEALAND LTD.** [www.nz.nsk.com](http://www.nz.nsk.com)  
 Auckland tel: 09-276-4992

**Philippines:**  
**NSK REPRESENTATIVE OFFICE**  
 Manila tel: 02-893-9543

**Singapore:**  
**NSK INTERNATIONAL (SINGAPORE) PTE LTD.**  
 Singapore tel: 6496-8000

**NSK SINGAPORE (PRIVATE) LTD.** [www.nsk-singapore.com.sg](http://www.nsk-singapore.com.sg)  
 Singapore tel: 6496-8000

**Taiwan:**  
**TAIWAN NSK PRECISION CO., LTD.**  
 Taipei tel: 02-2509-3305

**TAIWAN NSK TECHNOLOGY CO., LTD.**  
 Taipei tel: 02-2509-3305

**Thailand:**  
**NSK BEARINGS (THAILAND) CO., LTD.**  
 Bangkok tel: 02320-2555

**SIAM NSK STEERING SYSTEMS CO., LTD.**  
 Chachoengsao tel: 038-522-343

**NSK ASIA PACIFIC TECHNOLOGY CENTER (THAILAND) CO., LTD.**  
 Chonburi tel: 038-454-631

**Vietnam:**  
**NSK VIETNAM CO., LTD.**  
 Hanoi tel: 04-3955-0159

**NSK REPRESENTATIVE OFFICE**  
 Ho Chi Minh City tel: 08-3822-7907

**Europe**  
**NSK EUROPE LTD. (EUROPEAN HEADQUARTERS)** [www.eu.nsk.com](http://www.eu.nsk.com)  
 Maidenhead tel: 01628-509-800

**France:**  
**NSK FRANCE S.A.S.**  
 Paris tel: 01-30-57-39-39

**Germany:**  
**NSK DEUTSCHLAND GMBH**  
 Düsseldorf tel: 02102-4810

**Italy:**  
**NSK ITALIA S.P.A.**  
 Milano tel: 0299-5191

**Poland:**  
**NSK EUROPE LTD. WARSAW LIAISON OFFICE**  
 Warsaw tel: 022-645-1525

**NSK STEERING SYSTEMS EUROPE (POLSKA) SP.ZO.O.**  
 Walbrzych tel: 074-664-4101

**NSK NEEDLE BEARING POLAND SP.ZO.O.**  
 Kielce tel: 041-345-2469

**NSK POLSKA SP.ZO.O.**  
 Kielce tel: 041-347-5110

**Spain:**  
**NSK SPAIN S.A.**  
 Barcelona tel: 093-433-5775

**Turkey:**  
**NSK RULMANLARI ORTA DOGU TIC. LTD. STI.**  
 Istanbul tel: 0216-355-0398

**United Kingdom:**  
**NSK EUROPEAN TECHNOLOGY CENTRE**  
 Newark tel: 01636-605-123

**NSK UK Ltd.**  
 Newark tel: 01636-605-123

**North and South America**  
**NSK AMERICAS, INC. (AMERICAN HEADQUARTERS)**  
 Ann Arbor tel: 734-913-7500

**Argentina:**  
**NSK ARGENTINA SRL**  
 Buenos Aires tel: 11-4704-5100

**Brazil:**  
**NSK BRASIL LTDA.** [www.br.nsk.com](http://www.br.nsk.com)  
 São Paulo tel: 011-3269-4786

**Canada:**  
**NSK CANADA INC.** [www.ca.nsk.com](http://www.ca.nsk.com)  
 Toronto tel: 905-890-0740

**Mexico:**  
**NSK RODAMIENTOS MEXICANA, S.A. DE C.V.** [www.mx.nsk.com](http://www.mx.nsk.com)  
 Mexico City tel: 55-3682-2900

**United States of America:**  
**NSK CORPORATION** [www.us.nsk.com](http://www.us.nsk.com)  
 Ann Arbor tel: 734-913-7500

**NSK AMERICAN TECHNOLOGY CENTER**  
 Ann Arbor tel: 734-913-7500

**NSK PRECISION AMERICA, INC.** [www.npa.nsk.com](http://www.npa.nsk.com)  
 Franklin tel: 317-738-5000

**NSK STEERING SYSTEMS AMERICA, INC.** [www.nssa.nsk.com](http://www.nssa.nsk.com)  
 Bennington tel: 802-442-5448

**NSK LATIN AMERICA, INC.** [www.la.nsk.com](http://www.la.nsk.com)  
 Miami tel: 305-477-0605

<As of January 2012>

For the latest information, please refer to the NSK website.

NSK Ltd. has a basic policy not to export any products or technology designated as controlled items by export-related laws. When exporting the products in this brochure, the laws of the exporting country must be observed. Specifications are subject to change without notice and without any obligation on the part of the manufacturer. Every care has been taken to ensure the accuracy of the data contained in this brochure, but no liability can be accepted for any loss or damage suffered through errors or omissions. We will gratefully acknowledge any additions or corrections.

For more information about NSK products, please contact: \_\_\_\_\_

